

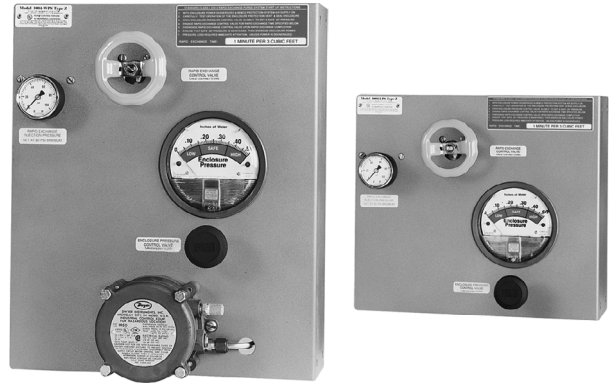
**Features**

- NFPA 70, NFPA 496, ISA 12.4 standards
- Optional alarm output indicates air lock failure
- Type Y system certified for Class I, Division 1 to Division 2
- Type Z system certified for Class I, Division 2 to nonhazardous
- Enclosure volume up to 200 ft<sup>3</sup>

**Function**

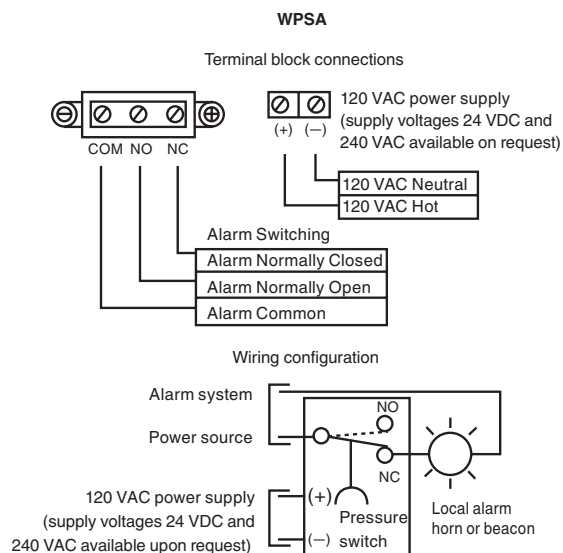
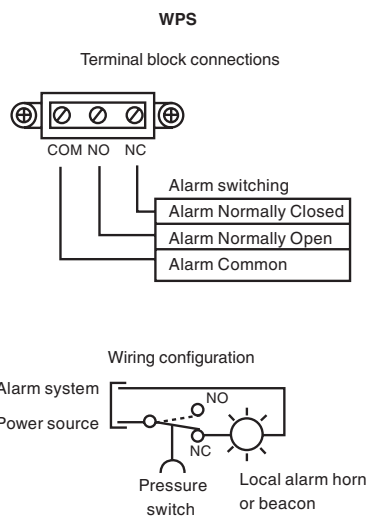
Model 1004 is a Rapid Exchange<sup>®</sup> purging system that operates on a supply of compressed instrument air or inert gas. It regulates and monitors pressure within sealed (protected) enclosure(s), in order to remove and prevent flammable gas or vapor accumulations. The system accomplishes four air exchanges and maintains a "safe" (0.25") pressure. A Pepperl+Fuchs Model EPV-4 Enclosure Protection Vent is required for proper operation. This process reduces the hazardous (classified) area rating within the enclosure(s), in accordance with the NEC - NFPA 70, Article 500, NFPA 496 and ISA 12.4.

**Assembly**



**BEBCO EPS<sup>®</sup>**

**Connection**

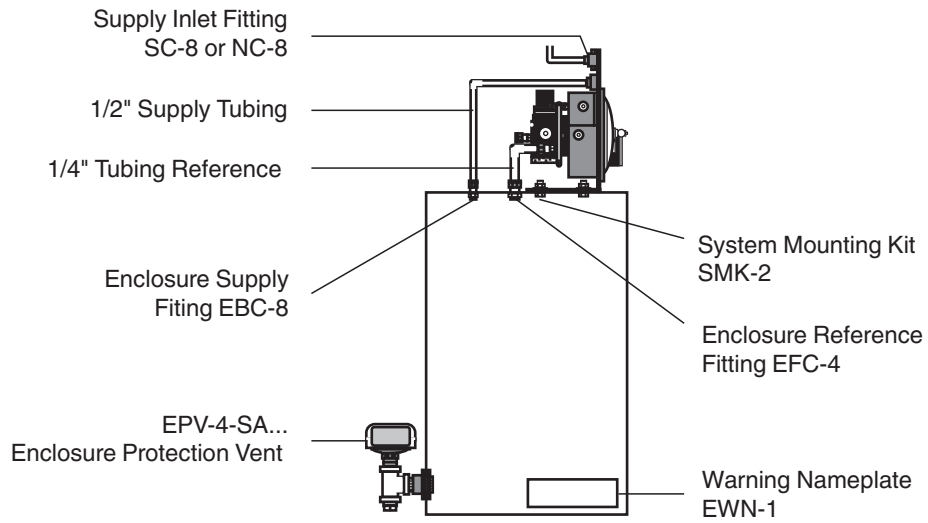


Release date 2013-09-26 23:17 Date of issue 2013-09-26 t156423\_eng.xml

<b>General specifications</b>	
Series	1004
Hazardous environment	gas
<b>Electrical specifications</b>	
Connection	Terminal blocks
<b>Output</b>	
Output I	-WPS-
Output type	Switch contacts
Contact loading	120 VAC @ 15 A
Output II	-WPSA-
Output type	Switch contacts
Contact loading	120/220 VAC; 24 VDC @ 10 A; 125 VDC @ 50 mA power requirements: 24 / 120 / 240 VDC @ 3 / 4 / 11 watts
<b>Pneumatic parameters</b>	
Protective gas supply	Instrument grade air or inert gas
Pressure requirement	80 - 120 psi
Safe pressure	Setpoint: 0.25" (6.35 mm) Flow rate: 0.1 - 3.5 SCFH (2.8 - 99 l/hr)
<b>Operating conditions</b>	
Process conditions	
Capacity and filtration	8.5 oz @ 40 µ
Exchange pressure	3" - 5"
Exchange flow rate	30 SCFM / 1800 SCFH (With regulator set to 80 psi min during exchange)
Exchange time	1 min / 7.5 ft <sup>3</sup>
<b>Ambient conditions</b>	
Ambient temperature	-29 ... 49 °C (-20.2 ... 120.2 °F)
<b>Mechanical specifications</b>	
Connection type	System supply port: 1/2" FPT Enclosure supply fitting: 1/2" tube fitting Enclosure reference fitting: 1/4" tube Switch conduit port size: 1/2" FPT
Material	Filter regulator body: zinc w/enamel finish Regulator handle & bowl: polycarbonate Enclosure pressure gauge: alum. w/enamel finish Rapid Exchange@gauge: poly case and brass tube Tube fittings & valves: 316 ss forged body Tubing: 316 ss 1/4" & 1/2" .035 welded System nameplate: silk screened Lexan® & ss Fastener hardware: alum. & stainless steel Mounting plate: 316 14 ga #3 brush ss EXP pressure switch body: anodized cast aluminum Enclosure warning nameplate: silk screened stainless steel
Mass	1004-LPS* 6.8 kg (15 lb) 1004-WPS* 10.4 kg (23 lb)
<b>International approvals</b>	
FM approval	Type Y LPS: Class I, Division 1, Groups A, B, C, D WPS: Class I, Division 1, Groups C, D WPSA: Class I, Division 1, Groups A, B, C, D  Type Z LPS: Class I, Division 2, Groups A, B, C, D WPS: Class I, Division 2, Groups C, D WPSA: Class I, Division 2, Groups A, B, C, D
UL approval	
cULus	Type Y LPS: Class I, Division 1, Groups A, B, C, D WPS: Class I, Division 1, Groups C, D WPSA: Class I, Division 1, Groups A, B, C, D  Type Z LPS: Class I, Division 2, Groups A, B, C, D WPS: Class I, Division 2, Groups C, D WPSA: Class I, Division 2, Groups A, B, C, D

Release date 2013-09-26 23:17 Date of issue 2013-09-26 t156423\_eng.xml

Assembly



Dimensions

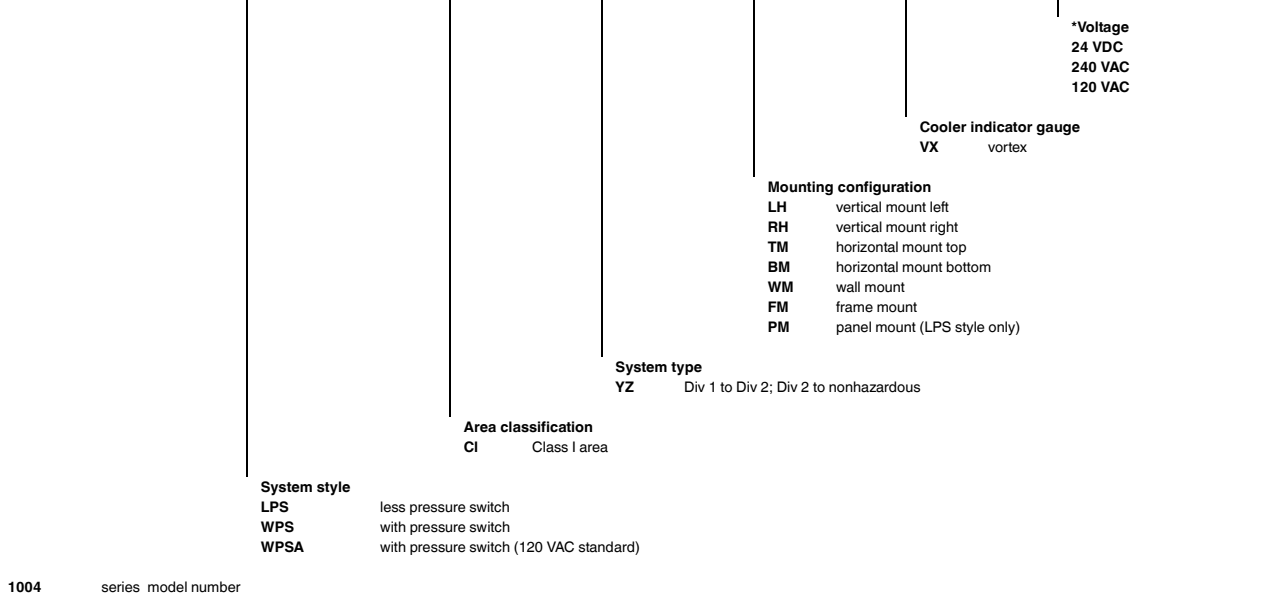
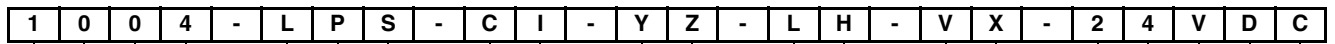
Overall system dimensions			
LPS / WPS	LH - left hand	RH - right hand	TM - top mount
Height	12 / 16.25	12 / 16.25	12 / 12
Width	13.5 / 13.5	13.5 / 13.5	13.5 / 16.75
Depth	6.75 / 8.25	6.75 / 8.25	6.75 / 8.25
LPS / WPS	BM - bottom mount	WM - wall mount	FM & PM - surface
Height	12 / 12	12 / 15	14 / 18.25
Width	13.5 / 16.75	13.5 / 13.5	15.5 / 15.5
Depth	6.75 / 8.25	7.75 / 9.25	6.75 / 8.25
<p>Dimensions in inches. Mounting dimensions available upon request.                      FM &amp; PM panel cutout dimensions: LPS - 13 h x 14.5 w WPS - 17.25 h x 14.5 w.</p> <p>Height &amp; Width dimensions reflect mounting plate measurements.                      Depth dimension reflects overall measurement of system, including components.</p>			

Release date 2013-09-26 23:17 Date of issue 2013-09-26 t156423\_eng.xml

<b>System Accessories</b>	
<b>Connection fittings</b>	
Part	Description
NC-8	1/2" ninety connector
SC-8	1/2" straight connector
EFC-4	1/4" flush connector
EFC-8	1/2" flush connector
EBC-8	1/2" bulkhead connector
EPC-14	1-1/2" pipe connector
<b>Additional items</b>	
Part	Description
SMK-2	Surface Mounting Kit (-LH-, -RH-, -TM-, -BM-, -WM- models)
SMK-8	Surface Mounting Kit (-FM-, -PM- models)
EPSK-1	Explosion Proof Switch Kit (Class I areas)
EPSK-1A	Explosion Proof Switch Kit (Class I areas)
GPSK-1	General-purpose Switch Kit (Class I areas)
RAH	Remote Alarm Horn
RAB-1	Div. 1 Remote Alarm Beacon
RAB-2	Div. 2 Remote Alarm Beacon
LCK	"L" style conduit fitting kit
TCK	"T" style conduit fitting kit
<b>Warning nameplates</b>	
Part	Description
EWN-1	Class I enclosure warning
ETW	Enclosure temperature warning
<b>Installation &amp; Operation Manual</b>	
Part	Description
DOCT-1357	Installation and Operation Manual

Release date 2013-09-26 23:17 Date of issue 2013-09-26 t156423\_eng.xml

Type code/model number



\* only for WPSA option

Release date 2013-09-26 23:17 Date of issue 2013-09-26 t156423\_eng.xml